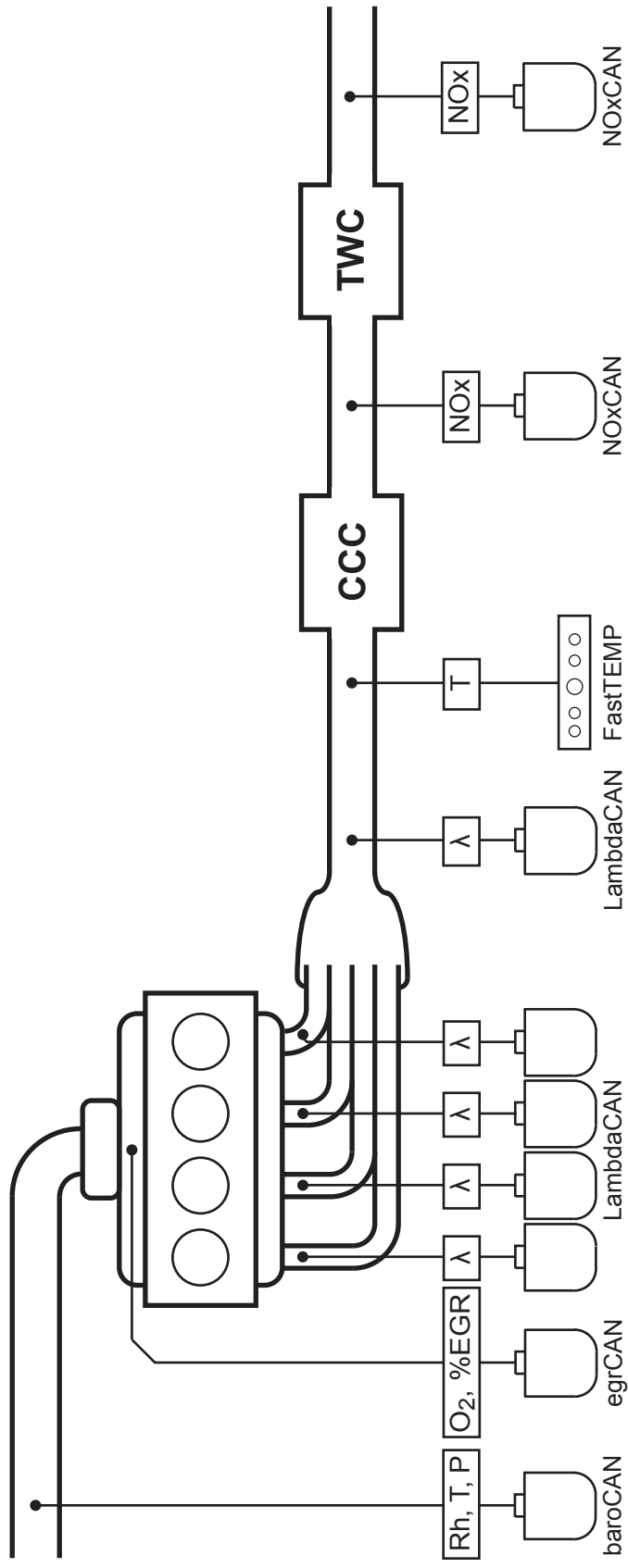


# ECM Spark-Ignition Exhaust Instrumentation Solutions



From air inlet to exhaust exit, ECM offers emissions measurement technology that makes your spark-ignition engine and aftertreatment development and calibration easier and faster.

- **LambdaCAN** • **NOxCAN** • **egrCAN** • **baroCAN** • **FastTEMP** •

Easy integration into ETAS INCA, AVL Puma, VectorCAN, ATI Vision and Ipetronik software via .dbc file.



- Optional remote display with analogue outputs.



- ▶ Contact your ECM Instrumentation Expert for more information:  
[www.labcell.com](http://www.labcell.com), 01420 568150, [mail@labcell.com](mailto:mail@labcell.com)